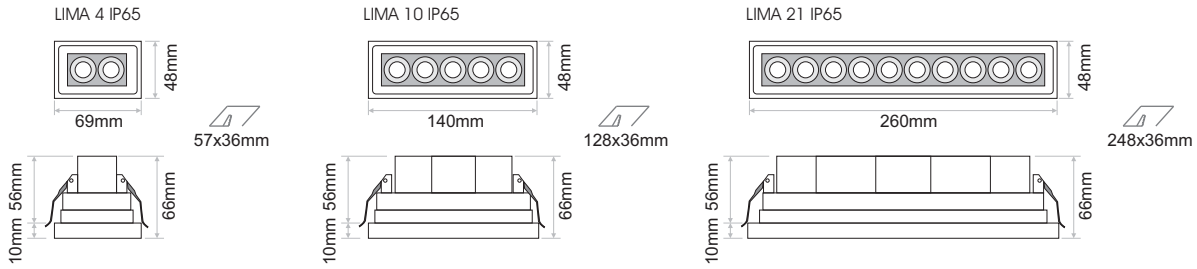
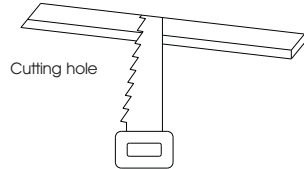
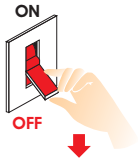


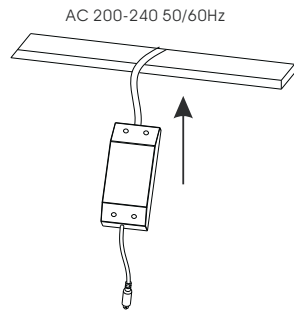
# LIMA IP65 Installation Manual



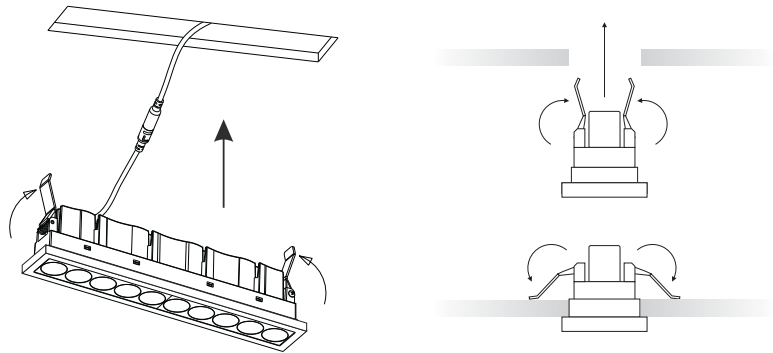
- 1**  **Attention**  
Switch off the main power.



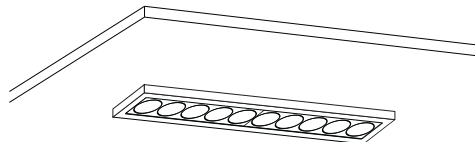
**2**



**3**



**4**



**5**

